

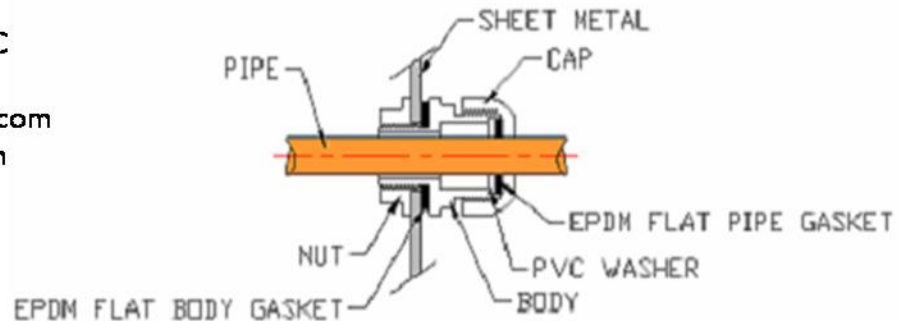


Sigrist Pipe Exit Seals Models 2025 Through 3001

Sigrist Enterprises LLC
1-425-865-0777
pete@pipechasehousing.com
pipechasehousing.com

Details

- Maximum wall thickness 3/4 inch.
- Color : White
- High UV protected PVC Plastic
- Minimum outside pipe size 1/4 inch.
- Maximum outside pipe size 1 5/8 inch.



WARNING : This Pipe Seal is not designed to be a water fitting. Never use this product in a water system.



Each seal is designed to work on a range of pipe sizes. There are 10 seals to cover all pipe sizes between 1/4 inch to 1 5/8 inch out side diameter. Each seal range is in 1/8 inch increments. The first seal has a range from 1/4 inch to 3/8. Any out side pipe size that fall on or between 1/4 inch and 3/8 inch will fit this seal. This pattern continues up to 1 5/8 inch OD. The cap will fit any seal body in the event a pipe

Seal	Model #	Pipe size OD range	Pipe OD range	Hole cut size
1	2025	1/4 --3/8	.250 --.375	2 1/4 inch
2	2037	3/8 --1/2	.375 --.500	2 1/4 inch
3	2050	1/2 --5/8	.500 --.625	2 1/4 inch
4	2062	5/8 --3/4	.625 --.750	2 1/4 inch
5	2075	3/4 --7/8	.750 --.875	2 1/4 inch
6	2087	7/8 --1	.875 --1	2 1/4 inch
7	2100	1 --1 1/8	1 --1.125	2 1/4 inch
8	2112	1 1/8 --1 1/4	1.125 --1.250	2 1/4 inch
9	2125	1 1/4 --1 3/8	1.250 --1.375	2 1/4 inch
10	2137	1 3/8 --1 1/2	1.375 --1.500	2 1/4 inch
11	2150	1 5/8	1.625	2 1/4 inch
Cap	3001	Fits all seal bodies	Fits all seal bodies	2 1/4 inch



Pipe outside diameter & Exit Seal selection

Sigrist Enterprises LLC
 Office 1-425-865-0777
 Fax 1-425-865-0778
 pete@pipechasehousing.com
 pipechasehousing.com

Ordering Exit Seals

Fax or email your orders to pete@pipechasehousing.com.
 Orders are shipped via UPS. Tag the seal with the pipe type so the field will know what the seal is for. Undamaged Exit Seals may be returned for full credit.

Copper K & L (inches) Outside Diameter OD		
CU	OD	Seal
1/4	.375	2025
3/8	.500	2037
1/2	.625	2050
5/8	.750	2062
3/4	.875	2075
1	1.125	2100
1 1/4	1.375	2125
1 1/2	1.625	N/A

Copper ACR (inches) Outside Diameter OD		
ACR	OD	Seal
1/4	.250	2025
3/8	.375	2037
1/2	.500	2050
5/8	.625	2062
3/4	.750	2075
1	1	2100
1 1/8	1.125	2112
1 1/4	1.250	2125
1 1/2	1.500	2137

Steel Schedule 40 (inches) Outside Diameter OD		
Steel	OD	Seal
1/8	.410	2037
1/4	.540	2050
3/8	.680	2062
1/2	.840	2075
3/4	1.050	2100
1	1.320	2125
1 1/4	1.66	2150
1 1/2	1.900	N/A

PVC Schedule 40 & 80 (inches) Outside Diameter OD		
PVC	OD	Seal
1/2	.840	2075
3/4	1.050	2100
1	1.315	2125
1 1/4	1.660	2150
1 1/2	1.900	N/A

Electrical EMT (inches) Outside Diameter OD		
EMT	OD	Seal
1/2	.706	2062
3/4	.922	2087
1	1.163	2112
1 1/4	1.510	2137
1 1/2	1.740	N/A

Electrical Rigid (inches) Outside Diameter OD		
Rigid	OD	Seal
1/2	.840	2075
3/4	1.050	2100
1	1.315	2125
1 1/4	1.660	2150
1 1/2	1.900	N/A

Aluminum (inches) Outside Diameter OD		
AL	OD	Seal
1/2	.840	2075
3/4	1.050	2100
1	1.315	2125
1 1/4	1.660	2150
1 1/2	1.900	N/A

Liquid-tight (inches) Outside Diameter OD		
Size	OD	Seal
3/8	.700	2062
1/2	.830	2075
3/4	1.040	2100
1	1.303	2125
1 1/4	1.645	2150
1 1/2	1.883	N/A

Tips installing Sigrist Exit Seals

1. Please let me know what type of pipe you are running and I will tag the Exit Seals. Any one that looks at this Exit Seal on the roof will know what pipe goes in it.
2. Drill your holes for the Exit Seals in the shop. This keeps all the metal shavings off the roof.
3. Install your Exit Seals in the shop and keep the tags on them for identification.
4. No worries if you want to exit a pipe in a different spot just switch the cap parts and you're done. The Seal bodies are all the same size.
5. If you drill a hole for an Exit Seal and then decide you don't want to install it. I have caps that will fit on the seal body.
6. Have a meeting with the Electrician with your Pipe Chase Housing mounted with Tagged Exit Seals and stake out your exit position for electrical and refer on the first Housing and stick to that pattern on the others.
7. With the wind this is going to see please use some nice size bolts with washers to bolt the Pipe Chase Housing down to your Curb.
8. Some larger pipes are a tight fit with the seal body mounted. Tip: Remove the seal body. Slide the nut on the pipe then stick the pipe through the 2 ¼ hole. Then re-install the Exit Seal body.
9. If the Exit Seal will be on the Pipe Chase Housing and your worried about it leaking before you get the pipe in it. Leave the shrink wrap on the cap until you are ready to install the pipe or install a small piece of plastic in the cap between the cap, gasket and the PVC washer covering the hole and spin the cap back on the Seal body and that will keep it dry until you get around to installing the pipe.
10. Look for the eight hole pattern punched in the side of the Medium Pipe Chase Housing. This spacing is set up so you can get eight pipes out of one side. The opposite side is offset so pipes opposite of each other will not hit on the inside.
11. Do not try to push the pipe through the Exit Seal. It will not work. Take the Seal apart first. Install your pipe then put the PVC washer on first then Gasket then spin the Cap on.